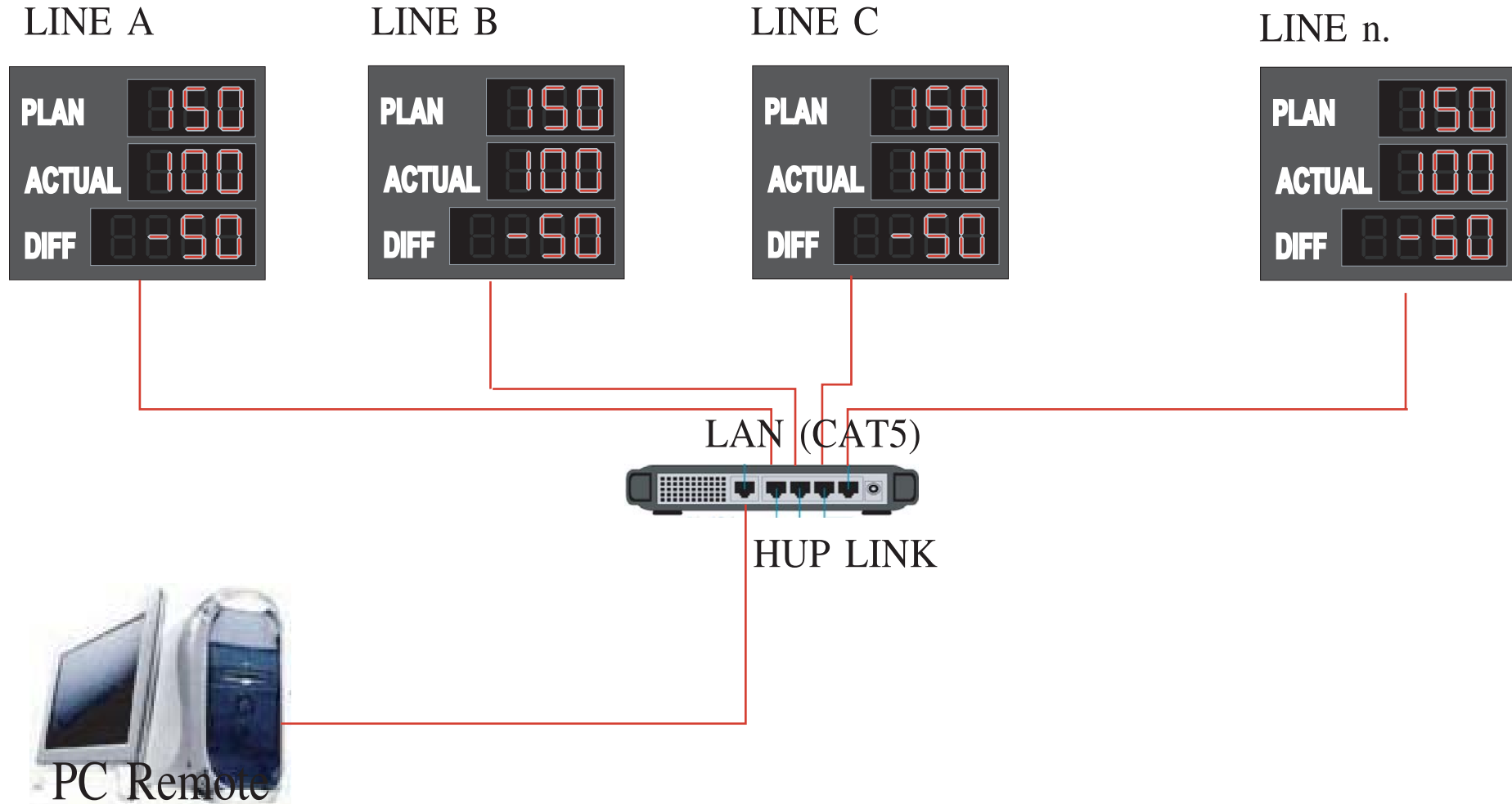


# Target Board System Diagram



FILE:Module Detail .		DATE :	DRAWING NUMBER:	PAGE
BPN ENGINEERING LTD.,PART	DESIGN:B.K	PRODUCT :	- - - - -	-
	DRAWN:	SERVICE :	SCALE :	TOTAL
	CHECKED:	SALE :	UNIT : mm.	-
	ENGINEER :	TOLERANCE :	MATERIAL :	